



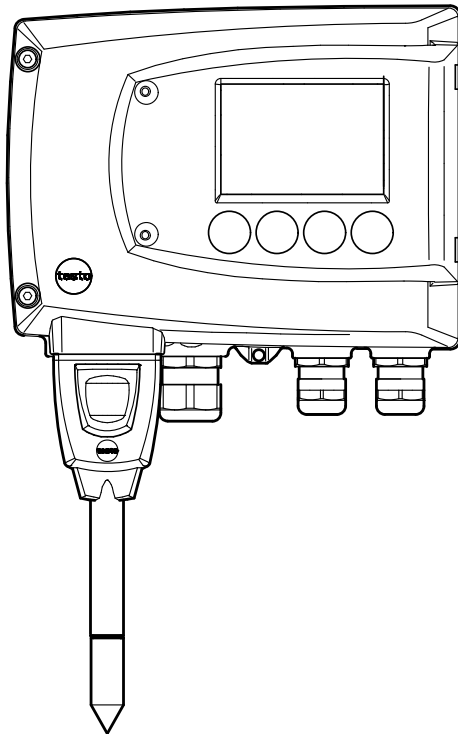
**testo 6651 · Humidity transmitters**

**testo 6600 · Probes**

**P2A software · Parameterizing, adjusting and analyzing software**

**Instruction manual Volume 1**

---



# Safety and the environment

## Avoiding electrical hazards

- ▶ Never use the instrument and connected probes to measure on or near live parts!
- ▶ Damaged mains cables must only be replaced by authorized personnel.
- ▶ Only have the transmitter wired and connected by authorized personnel with the voltage disconnected.
- ▶ You must always comply with the regulations applicable in your country to the opening and repair of electrical equipment.

## Avoiding personal injury/damage to equipment

- ▶ Installation, setting and calibration work must only be carried out by qualified and authorized personnel!
- ▶ Only open the instrument when this is expressly described in the instruction manual for installation, maintenance or repair purposes.
- ▶ Observe the permissible storage, transport and operating temperatures.
- ▶ Never store or operate the product with solvents and do not use any desiccants.
- ▶ Do not use the instrument for control purposes at the same time as operating or servicing the transmitter.
- ▶ Only operate the product properly, for its intended purpose and within the parameters specified in the technical data. Do not use force.
- ▶ Carry out only the maintenance and repair work that is described in the documentation. Follow the prescribed steps when doing so. Use only OEM spare parts from Testo.

Any additional work must only be carried out by authorized personnel. Otherwise Testo will not accept any responsibility for the proper functioning of the instrument after repair and for the validity of certifications.

## Protecting the environment

- ▶ Send the product back to Testo at the end of its useful life. We will ensure that it is disposed of in an environmentally friendly manner.

# About this document

- ▶ Please read this documentation through carefully and familiarize yourself with the product before putting it to use. Keep this document to hand so that you can refer to it when necessary. Hand this documentation on to any subsequent users of the product.
- ▶ The following conventions are followed in this document:

Character/ display:	Explanation/example
------------------------	---------------------



With the signal word **Warning!**:

Warns against hazards which could result in serious physical injury if the precautionary measures indicated are not taken, e.g.:

De-energize the mains connection before connecting the transmitter!



With the signal word **Caution!**:

Warns against hazards which could result in minor physical injury or damage to equipment if the precautionary measures indicated are not taken, e.g.:

Observe the permissible operating temperature!



Important information, e.g.:

Administrator rights are required to install the program under Windows® 7, 8 and 10.

- Aim of action, e.g.:
  - **Assembling the instrument at the process connection:**
- ✓ Requirement that must be met, e.g.:
  - ✓ USB drivers are installed.

1 Steps are numbered if a certain sequence of actions must be followed, e.g.:

- 1 Loosen and remove housing screws.
- 2 Remove the upper part of housing.

▪ A step is not numbered if there are no further steps or if the step is optional, e.g.:

- Insert probe connector into socket of testo 6651 until it engages.

" ... " Example entries are in inverted commas, e.g.:

The value "0" results in ....

**Bold type** Elements of the program interface or instrument display, e.g.:

The instrument designation appears in the **instrument/parameter file list**.

Select **Main Menu Channel 1** and confirm with SET.

...>... Functions/paths within a menu, e.g.:

**Start > All Programmes > Testo > Transmitter Software.**

[ ] Buttons which start an action, e.g.:

Confirm the software key with [OK].

CAPITAL LETTERS Keys on the instrument or keypad, e.g.:

Press ESC.

# Contents

<b>1</b>	<b>TRANSMITTER.....</b>	<b>6</b>
1.1	Specifications.....	6
1.1.1	Functions and use.....	6
1.1.2	Scope of delivery.....	6
1.1.3	Accessories.....	7
1.1.4	Technical data.....	7
1.1.5	Dimensions.....	9
1.2	Product description.....	10
1.2.1	At a glance.....	10
1.2.2	Usable probes.....	11
1.2.3	Display and keypad.....	12
1.2.4	Service interface.....	12
1.2.5	Relay board (option).....	12
1.2.6	Analog outputs.....	13
1.2.7	Parameters.....	13
1.2.8	Scaling.....	14
1.2.9	Alarm handling.....	16
1.3	Commissioning.....	17
1.3.1	Assembling the instrument.....	17
1.3.2	Connecting the instrument.....	21
1.3.3	Adjusting the instrument.....	32
1.4	Operation.....	37
1.4.1	Relationship between user menu and mini-DIN socket is active .....	37
1.4.2	Key cover.....	38
1.4.3	Password protection.....	38
1.4.4	Structure of user menu.....	39
1.4.5	Overview of the testo 6651 user menu.....	40
1.4.6	The individual main menus.....	42
1.5	Status, warning and error messages.....	53
1.5.1	Transmitter status messages.....	53
1.5.2	Transmitter warning messages.....	54
1.5.3	Transmitter error messages.....	55
1.5.4	Handling alarm messages.....	56
1.5.5	Namur fault conditions.....	58
1.6	Maintenance and cleaning.....	59
1.6.1	Maintaining the instrument.....	59
1.6.2	Cleaning the instrument.....	59

# 1 Transmitter

## 1.1 Specifications

### 1.1.1 Functions and use

The testo 6651 humidity transmitter is used in conjunction with plug-in, adjusted probes from the testo 6600 range.



Please refer to *volume 2, chapter 2* for information about commissioning, operating and maintaining the testo 6600 probe.

The testo 6651 humidity transmitter is suitable for the following applications, for example:

- Process instrumentation
- Test benches
- Production and storage air quality
- Complex room climate applications

### 1.1.2 Scope of delivery

The scope of delivery of the testo 6651 humidity transmitter includes the following:

- Key cover
- Rear panel bracket

## 1.1.3 Accessories

The following accessories are available for the testo 6651 humidity transmitter:

- Protection caps for probes
- Mains unit
- P2A software (parameterizing, adjusting and analyzing software)
- Assembly accessories.



Information about accessories and their order numbers can be found in *volume 2, chapter 4.2* or on the website at [www.testo.com](http://www.testo.com).

## 1.1.4 Technical data

### Parameters

- Humidity (% RH/°Ctd/°Ftd)
- Temperature (°C/°F)

### Measuring range

- Depends on probe

### Accuracy

- Depends on probe

### Resolution

- 0.1 % RH or 0.1 °C/0.1 °F

### Meas. cycle

- 1/s

### Interface

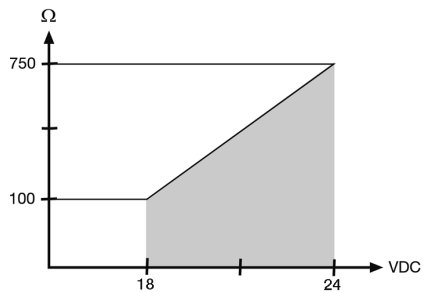
- Mini-DIN for P2A software (parameterizing and adjusting software) and handheld testo 400/650

### Voltage supply

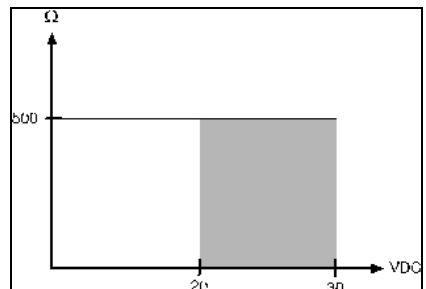
- 2-wire: 18 ... 24 V DC  $\pm$  10%
- 4-wire (separate signal and supply lines):  
20 - 30 V AC/DC,  
300 mA power consumption

### Maximum load

- 2-wire: 100 to 750  $\Omega$



- 4-wire: 500  $\Omega$  (power output)



---

### **Analog output**

- 4 ... 20 mA  $\pm$  0.03 mA (2-wire) or
- 0 ... 1 V  $\pm$  1.5 mV (4-wire) or
- 0 ... 5 V  $\pm$  7,5 mV (4-wire) or
- 0 ... 10 V  $\pm$  15 mV (4-wire) or
- 0 ... 20 mA  $\pm$  0.03 mA (4-wire) or
- 4 ... 20 mA  $\pm$  0.03 mA (4-wire)

---

### **Resolution of analog output**

- 12 bit

---

### **Relay**

- 4 relays, 250 V AC/DC, 3 A (optional)

---

### **Display**

- 2-line LCD with plain text line (optional)

---

### **Housing operating temperature**

- - 40 ... 70 °C/-40 to +158 °F, with display from 0 - 50 °C / 32 to +122 °F

---

### **Storage temperature**

- - 40 ... 80 °C/-40 to +176 °F

---

### **Housing, weight**

- Plastic, 675 g/1.49 lb

---

### **Protection class**

- IP 65 only if the transmitter is wired and/or seal plugs are inserted

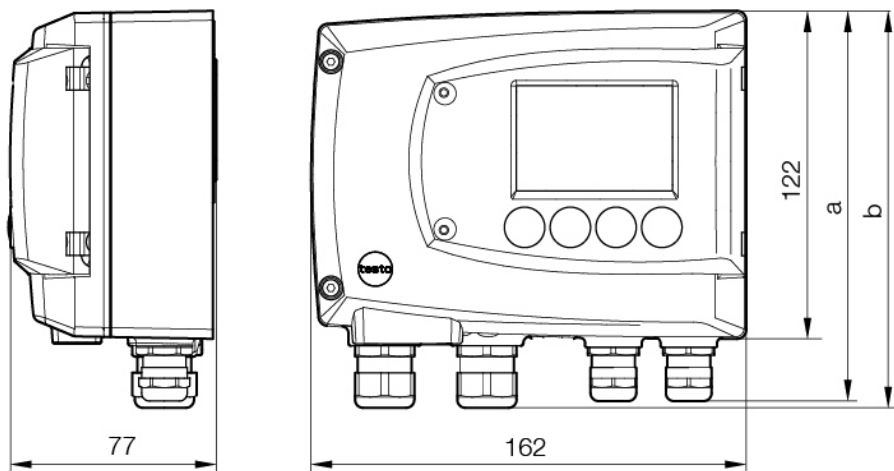
---

### **Directives, standards and tests**

- EC Directive: 2014/30/EC



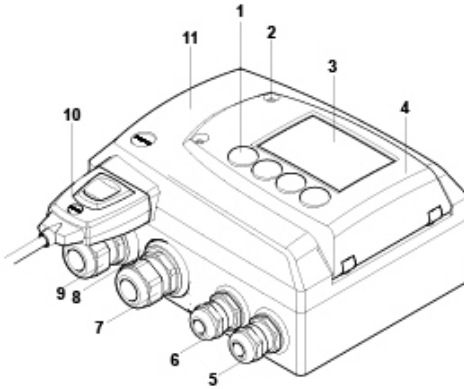
## 1.1.5 Dimensions



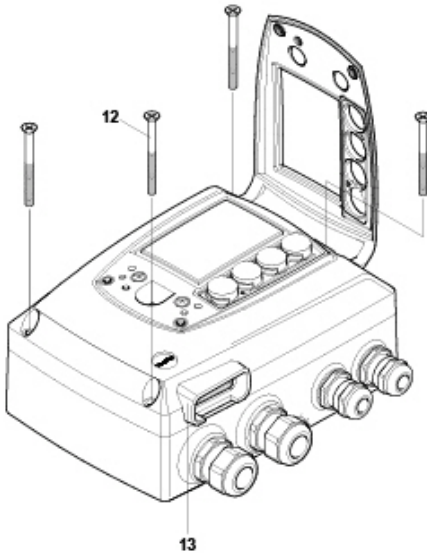
Dimensions in mm	a	b
With M 20 cable couplings	144	147
With NPT cable couplings	144	144
With plug-in connections	143	

# 1.2 Product description

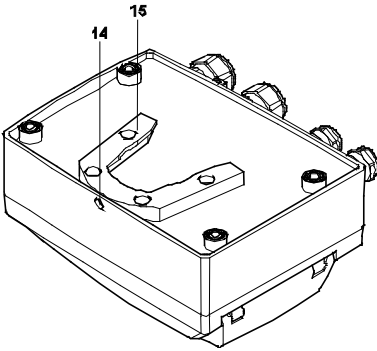
## 1.2.1 At a glance



- 1 Keys (with optional display)
- 2 Service flap screw connection (self-locking, 2x)
- 3 Display (optional)
- 4 Service flap
- 5 M 16 x 1.5 screw connection\*, e.g. analog outputs
- 6 M 16 x 1.5 screw connection\*, e.g. voltage supply
- 7 M 20 x 1.5 screw connection\*, e.g. relay R 3 and R 4
- 8 Eyelet for measuring point panel
- 9 M 20 x 1.5 screw connection\*, e.g. relay R 1 and R 2
- 10 Probe connector (testo 6600)
- 11 Upper part of housing
- 12 Housing screws (M4 x 20 mm)
- 13 Socket for probe connector



\* Alternatively, NPT cable couplings or M plug-in connections are available



- 14 Hole for fastening to rear panel bracket (M3 x 6 screw)
- 15 Plastic bracket for assembly on rear panel

## 1.2.2 Usable probes

The testo 6651 humidity transmitter can be used with the following probes:

probe	Article no.	Characteristic
testo 6601	0555 6600-L01	<b>Wall</b> probe version; accuracy to $\pm 1.7$ % RH; temperature range $-20$ °C to $+70$ °C/ $-4$ to $+158$ °F
testo 6602	0555 6600-L02	<b>Duct</b> probe version; accuracy to $\pm 1.7$ % RH; temperature range $-20$ °C to $+70$ °C/ $-4$ to $+158$ °F
testo 6603	0555 6600-L03	<b>Duct</b> probe version; accuracy to $\pm 1.7$ % RH; temperature range $-30$ °C to $+120$ °C/ $-22$ to $+248$ °F
testo 6604	0555 6600-L04	<b>Cable</b> probe version; accuracy to $\pm 1.7$ % RH; temperature range $-20$ °C to $+70$ °C/ $-4$ to $+158$ °F
testo 6605	0555 6600-L05	<b>Cable</b> probe version; accuracy to $\pm 1.7$ % RH; temperature range $-30$ °C to $+120$ °C/ $-22$ to $+248$ °F

### 1.2.3 Display and keypad

The display option allows the testo 6651 humidity transmitter to be operated via the display and four keys.

The LCD display consists of two 7-segment lines for displaying readings and units and of an information line (for status messages, for example).

The brightness and contrast of the display and the background lighting (permanent or off) can be changed via the user menu or the P2A software.

### 1.2.4 Service interface

Behind the service flap is the parameterizing socket (mini-DIN) as an interface to the P2A software.

### 1.2.5 Relay board (option)

This has a floating switch capacity of 250 V AC/3 A. The switching limits and hysteresis as well as the function as relay for the collective alarm can be set via the display or the P2A software. Further features include:

- Function of changeover contacts (NC/NO contacts) freely selectable
- 12 terminals for a total of 4 relays.



If no relays are available, settings for monitoring limit values or alarms can still be controlled via the display.



Only have the transmitter wired and connected by authorized personnel with the voltage disconnected.

## 1.2.6 Analog outputs

For analog outputs, the testo 6651 has either

- 2 current outputs of 4 to 20 mA (2-wire)/0 to 20 mA (4-wire)/4 to 20 mA (4-wire) or
- 2 voltage outputs of 0 to 1 V/0 to 5 V/0 to 10 V (4-wire).

In 2-wire operation, channel 1 is used for the supply. The two channels are galvanically isolated in both 2- and 4-wire operation.



The relay option and the background lighting of the optional display are only possible in 4-wire operation.

## 1.2.7 Parameters

The following parameters are calculated:

- Relative humidity in % RH and (technical)
- Relative humidity in % WMO\* (calculation according to the WMO standard)
- Temperature °C and °F
- Dewpoint in °Ctd and °Ftd.
- Absolute humidity in g/m<sup>3</sup>

\*It is possible that condensation appears as of a displayed humidity starting from 70 % and is shown on the display. This unit is used in meteorology, for example. According to the WMO, the Magnus coefficient is used for sub-cooled water in the calculation of relative humidity.



Calculated humidity variables correspond to the medium of air. With other gases/gas compositions, deviations may occur, e.g. with the enthalpy

## 1.2.8 Scaling

There are three types of min./max. values:

### 1 The measuring range

The maximum sensor performance is in this range. Values outside of the measuring range are displayed via messages, for example.

Measuring range, see table (below).

### 2 Standard scaling

The output signals are assigned to this measuring range as standard:

- during delivery if no entries are made in the order code
- after exchanging the unit, the measuring range recorded in the instrument is applied as standard.



The transmitter even retains its scaling with the voltage disconnected.

Measuring range, see table (below).

### 3 The maximum settings for the manual scaling

- the values are not expressly given in the table. The maximum limits can be calculated as follows:

$X = \text{difference between MIN. and MAX. value of the standard scaling}$

$(\text{Max. value of standard}) + (50 \% \text{ of } X)$

$(\text{Min. value of standard}) - (50 \% \text{ of } X)$

- It is thus possible to scale beyond the measuring range, e.g. for the adjustment of the scaling limits to standard values of a PLC. However, the physical measurement range limits are the deciding factor when defining alarms.

Parameter	Unit	probe	Measuring range physical at 1013 hPa		Standard scaling MUF measuring range	
			MIN	MAX	MIN	MAX
Temperature	°C	6601, 6602, 6604	-20	+70	-20	+70
	°F	6601, 6602, 6604	-4	+158	-4	+158
	°C	6603, 6605	-30	+120	-30	+120
	°F	6603, 6605	-22	+248	-22	+248
relative humidity	% RH,		0	+100	0	+100
WMO relative humidity	% RH		0	+100	0	+100
Dewpoint at 25 °C T max	°Ctd	6601, 6602, 6604	-20	+70	-80	+100
	°Ftd	6601, 6602, 6604	-4	+158	-112	+212
	°Ctd	6603, 6605	-20	+100	-80	+100
	°Ftd	6603, 6605	-4	+212	-112	+212
Absolute humidity	g/m3	all probes	0	600	0	2000

## 1.2.9 Alarm handling

For upper and lower alarm limits, individual alarms as well as collective alarms can be specified. If the collective alarm function is activated, an alarm is triggered as soon as the alarm limit of an alarm is exceeded, if this alarm is assigned to the collective alarm.

The testo 6651 monitors limit values using relays. If a reading is outside the limit values, a relay to be specified by the user is switched.

If the reading reverts to more than a specified hysteresis below or above the limit value, the alarm is cancelled.

In addition, information about the occurrence of error/status messages can be provided by means of a collective alarm relay (see *chapter 1.5*).



If multiple alarm messages are activated at the same time, the last alarm is shown. If the alarm is cancelled again, the previous messages are no longer shown.



### Example

If the condensation of the probe begins, the "Condensation" message appears on the display and the "Start" status display. If the condensation is over, the status display changes from "Start" to "End".

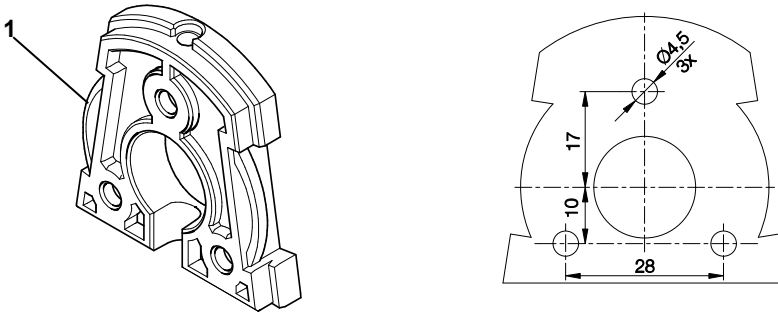


# 1.3 Commissioning

## 1.3.1 Assembling the instrument

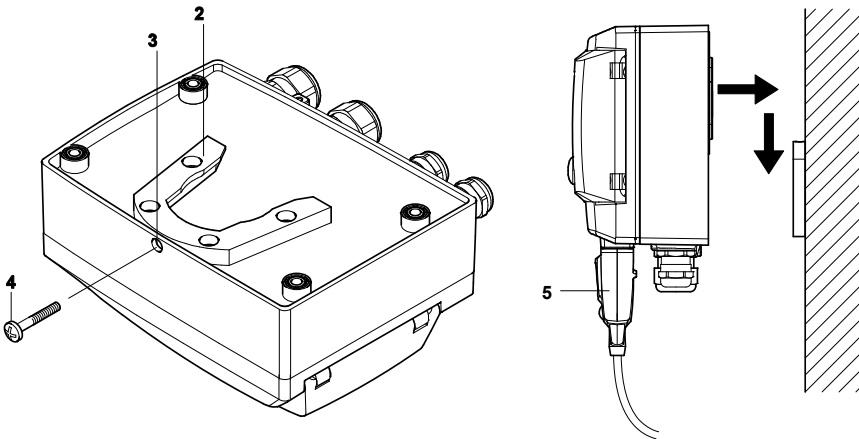
### 1.3.1.1 Wall mounting (for testo 6601/6604/6605 probes)

#### ➤ Attaching rear panel bracket



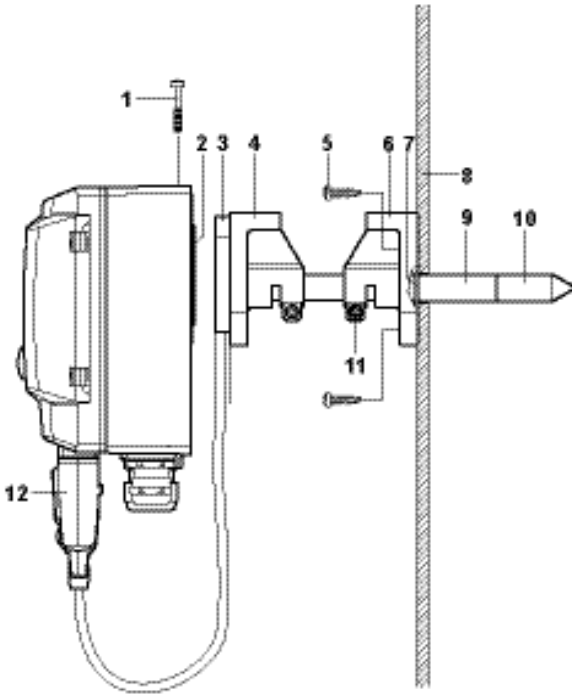
- 1 Remove locking screw (item **(4)** of drawing on page 18) and detach rear panel bracket from plastic bracket (item **(2)** of drawing on page 18).
- 2 Hold rear panel bracket in assembly position and mark the three drill holes.
- 3 Drill three holes ( $\varnothing 5$  mm) and insert dowels where necessary.
- 4 Screw on rear panel bracket.  
Remember that the clamping brackets **(1)** must face the wall.

➤ **Fastening instrument to rear panel bracket**



- 1 Slide plastic bracket (2) on the back of instrument onto rear panel bracket until it engages (see arrows).
- 2 Insert screw (4) through hole (3) and screw into rear panel bracket.
- 3 Insert probe connector (5) into socket until it engages.

### 1.3.1.2 Duct mounting (for testo 6602/6603 probes)



- 1 Hold wall/duct bracket (order no. 0554 6651) **(6)** against duct wall **(8)** and mark drill holes for wall/duct bracket and probe shaft.
- 2 Drill a hole ( $\varnothing$  12.5 mm) in the duct wall to feed through the probe shaft.
- 3 Fasten wall/duct bracket **(6)** to duct wall with screws **(5)**.
- 4 Push probe shaft **(9)** with filter **(10)** through the middle hole of the mounting bracket.



The wall/duct bracket **(6)** has an O-ring **(7)** to seal it against the duct. Feed the probe shaft **(9)** carefully through the wall/duct bracket so that the O-ring is not damaged.

- 5 Fix the correct position of the probe shaft **(8)** with screw **(11)** and mark (insert probe shaft as far as possible).
- 6 Slide plastic bracket **(2)** on the back of the transmitter onto bracket **(3, 4)** until it engages.

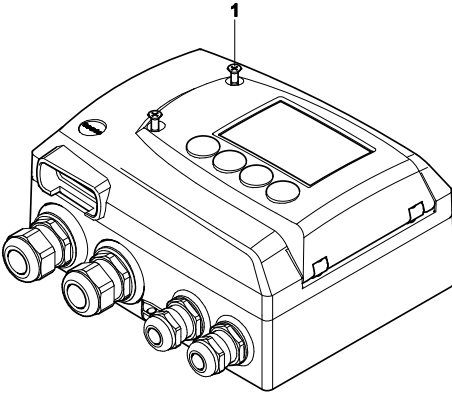


Take the weight of the transmitter into account. Ensure that the brackets **(4, 6)** are fastened securely.

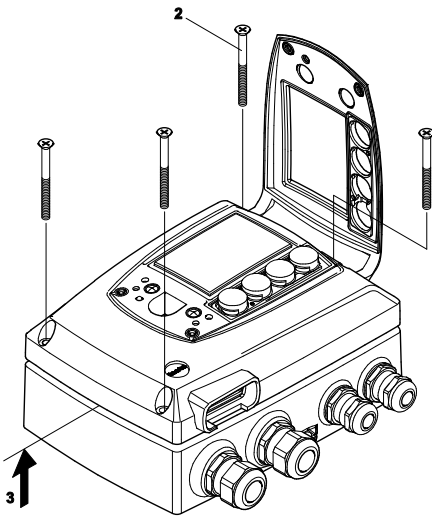
- 7 Insert screw **(1)** through hole on the top of the instrument and screw into bracket **(3)**.
- 8 Insert probe connector **(12)** into socket until it engages.

## 1.3.2 Connecting the instrument

### ➤ Opening the instrument



1 Loosen screw connection (1) of service flap and open the flap.



2 Loosen and remove housing screws (2).

3 Remove upper part of housing from lower part (3) and place on a clean surface.



**Warning!**

Electrical voltage.

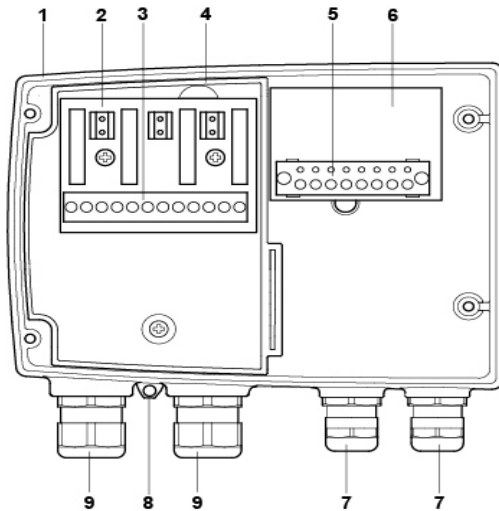
Danger of injury!

De-energize the mains connection before connecting the transmitter!



Only have the transmitter wired and connected by authorized personnel with the voltage disconnected.

**1.3.2.1 Overview of terminals**



- 1 Lower part of housing
- 2 Relay board (option)
- 3 Relay terminals
- 4 Insulating trough for relay board
- 5 Terminal strip for voltage supply and analog outputs

- 6 Terminal board
- 7 M 16 x 1.5 screw connection\*
- 8 Eyelet for measuring point panel
- 9 M 20 x 1.5 screw connection\*
- \* Alternatively, NPT cable coupling or M plug-in connection

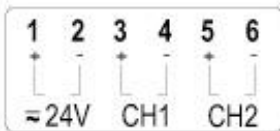


The following description of the terminals refer to this overview and its numbering.

### 1.3.2.2 Connecting voltage supply and analog outputs

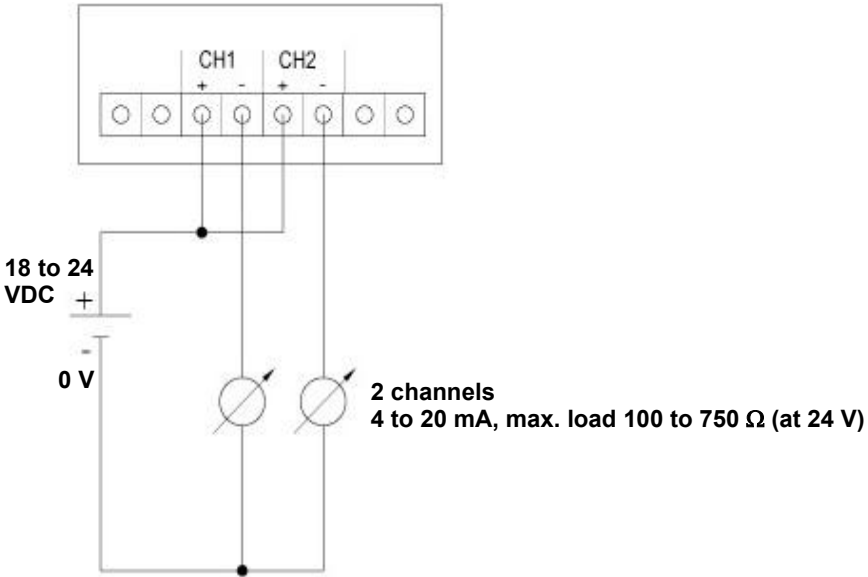


Terminal strip for voltage supply and analog outputs (item **(5)** of *Overview of terminals, chapter 1.3.2.1*).



- 1 Feed cable with voltage supply and analog signal lines through opened M 16 x 1.5 screw connection (item **(7)** in *Overview of terminals, chapter 1.3.2.1*).
- 2 Strip the cable ends, clamp wire end ferrules on and screw down onto voltage terminals.
- 3 Close M 16 x 1.5 screw connection (item **(7)** in *Overview of terminals, chapter 1.3.2.1*).

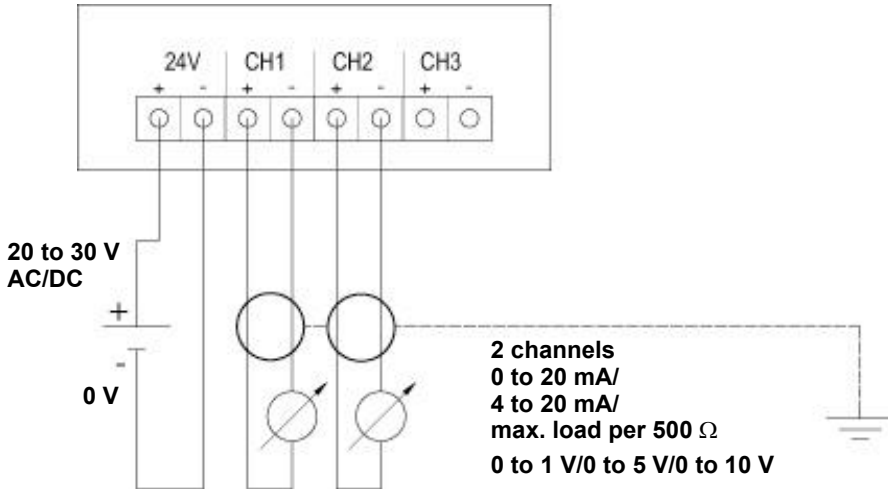
### Wiring diagram for 2-wire system (4 - 20 mA)



If the channels have to be galvanically isolated, a separate mains unit must be used for each channel.



**Wiring diagram for 4-wire system  
(0 to 20 mA/4 to 20 mA/0 to 1 V/0 to 5 V/0 to 10 V)**



The channel 3 shown on the circuit board cannot be used with this instrument.



Requirement for the connecting cable of the supply:

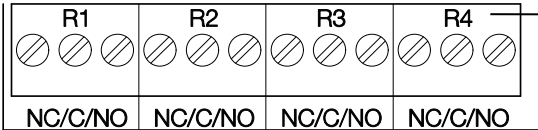
- Insulated with cross-section of at least 0.25 sq. mm.
- The supply line must be secured against exceeding 8 A.
- An OFF switch must be installed in an easily accessible position close by and be marked as such.

- 1 Feed connection cables of the two channels through opened M 16 x 1.5 screw connection (item (7) of *Overview of terminals, chapter 1.3.2.1*).
- 2 Strip the cable ends, clamp wire end ferrules on and screw to channel terminals as shown in diagram.
- 3 Close M 16 x 1.5 screw connection (item (7) in *Overview of terminals, chapter 1.3.2.1*).

### 1.3.2.3 Connecting the relay outputs



Only have the transmitter wired and connected by authorized personnel with the voltage disconnected.



Relay terminal strip (item **(3)** of *Overview of terminals, chapter 1.3.2.1*)

There is the option of twelve terminals for a total of four relays. The designations NC/C/NO (normally closed contact/root or pin/normally open contact) are etched on the surface of the board.

#### Using PG screw connection

- 4 Feed connection cables for the relays through opened M 20 x 1.5 screw connection (item **(10)** of *Overview of terminals, chapter 1.3.2.1*).
- 5 Strip cable ends and clamp on wire end ferrules.
- 6 Connect relays according to chosen function (NC/NO) (see diagrams below; relay 1 is shown as an example of a connection).

#### Using plug-in connections (optional)



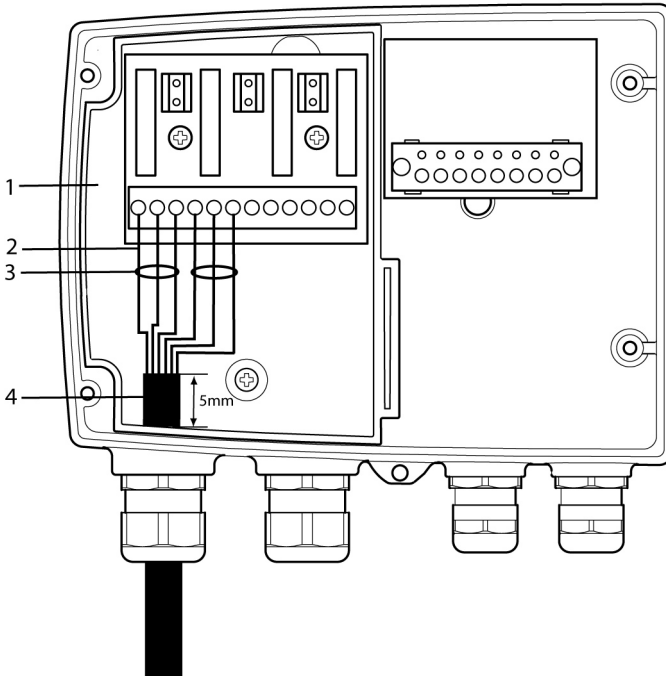
Only insert or disconnect the plug-in connection when the voltage is disconnected.

- 1 Clean the connector of the probe line and the coupling of any foreign matter.



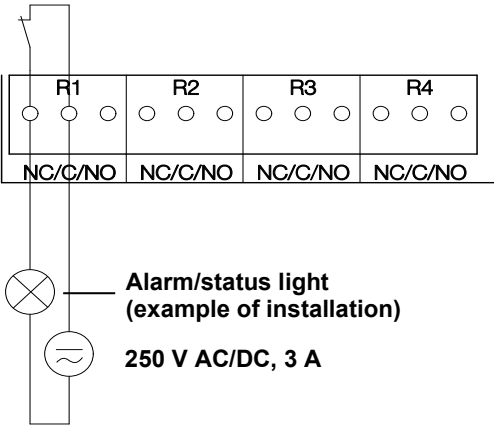
Do not disconnect the connector of the probe line from the instrument for extended periods to protect against contamination.

## Connection note



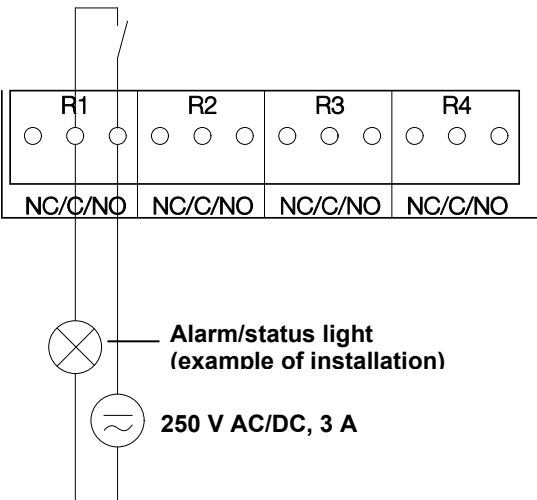
- For the connection, a double-insulated mains cable (sheathed cable) with a cross-section of at least 1.5 sq. mm must be used.
- Cable connection (2) may not be routed in a loop within the tray (1).
- It is recommended that you always tie 3 cores to one another using a cable tie (3).
- The insulation of the cable must be fed at least 5 mm (4) into the tray.

**Use of relay as NC contact (NC = normally closed)**



The busy light (alarm/status light) is permanently on until the relay opens or the circuit is interrupted. This circuit can therefore be used to monitor the functionality of the alarm circuit, as a cable break, for instance, is indicated by the busy light going off.

**Use of relay as NO contact (NO = normally open)**



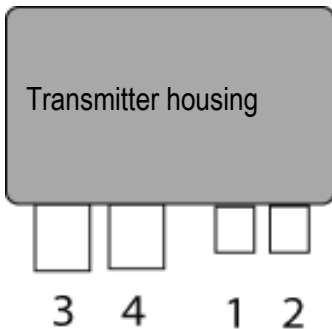


The busy light (alarm/status light) only comes on when the relay is switched (closed). Monitoring the functionality of the alarm circuit is therefore not possible with this switching operation.

- 2 Close M 20 x 1.5 screw connection (item **(9)** of *Overview of terminals, chapter 1.3.2.1*).

### 1.3.2.4 Plug-in connection option

As an option, the PG screw connections of the signal and supply lines can be replaced with plug-in connections that are installed at the housing (see Fig. 1 and 2). The relay cabling occurs via standard cable entries and PG screw connections, see Fig. 3 and 4



### Plug-in connections for power supply and channels

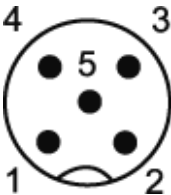
M12 plug-in connection (5-pin) socket (1)

View of the plug-in connections in the installed state from outside



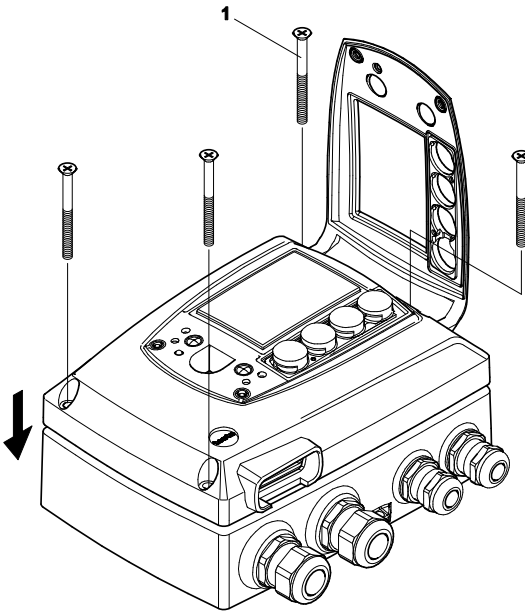
Pin	Assignment.
1	V 24 -
2	V 24 +
3	+ Ch 1
4	- Ch 1
5	PE

M12 plug-in connection (5-pin) connector (2)

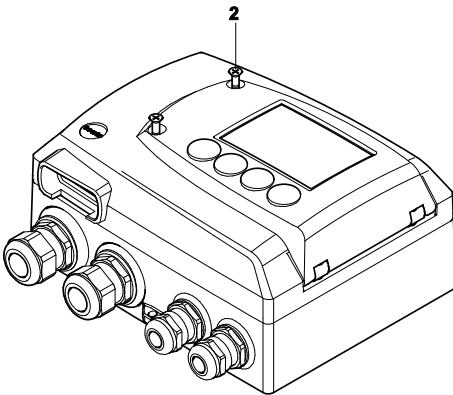


Pin	Assignment.
1	- Ch 2
2	+ Ch 2
3	+ Ch 3
4	- Ch 3
5	PE

### 1.3.2.5 Closing the instrument



- 1 Place upper part of instrument on top of lower part (see arrow) and fix in place with housing screws (1).



- 2 Close the service flap and tighten screws (2).

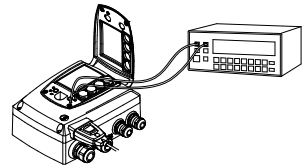
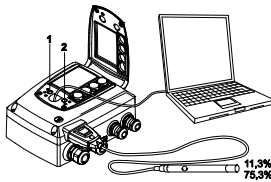
### 1.3.3 Adjusting the instrument

The testo adjusting concept allows the entire signal chain from the sensor signal (probe) and the digital signal (within the transmitter) through to the analog signal (transmitter output signal) to be adjusted (see diagram).

#### 1-point adjustment

#### 2-point adjustment

#### Analog adjustment



Adjustment via

- P2A software
- User menu

Adjustment 11.3 % RH and  
75.3 % RH via

- Adjustment keys (1, 2)
  - P2A software
- Adjustment 20 % rH and  
80 % rH via
- User menu

Adjustment using a precise  
multimeter and transmission  
of analog reference value in

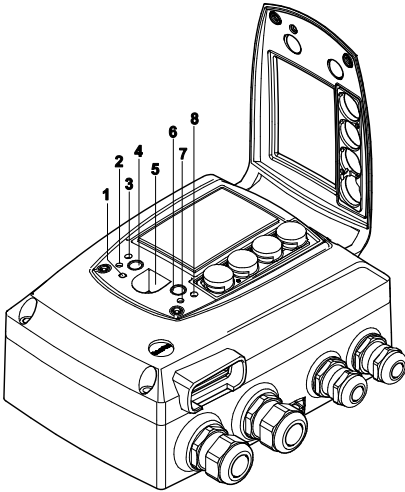
- P2A software or
- User menu

Either the 1-point adjustment or 2-point adjustment is suitable for adjusting the sensor signal - digital signal chain.

The testo 6651 transmitter has digital probes whose adjustment information is stored in the probe's internal memory. Both 1-point and 2-point adjustments can thus be carried out on another testo 6651 (e.g. in the calibration laboratory).



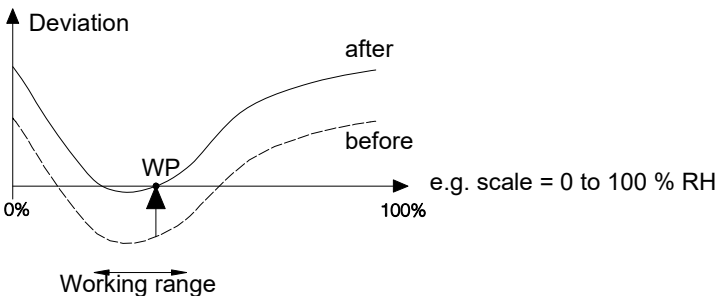
### 1.3.3.1 Overview: Adjustment keys and test contacts



- 1 LED
- 2 Contact ch. 1 +
- 3 Contact ch. 1 -
- 4 Adjust key 11.3 %
- 5 Service interface
- 6 Adjust key 75.3 %
- 7 Contact ch. 2 +
- 8 Contact ch. 2 -

### 1.3.3.2 1-point adjustment (offset)

In the 1-point adjustment, the reading at the working point is raised to the reference value so that there is no longer any deviation in the working point. The reference condition can be measured using a precise reference instrument or be created in an air conditioning cabinet.



The advantage of the 1-point adjustment is the good measuring result in the working range. But the further away the measurement is from the working point, the greater the deviation can become. The 1-point adjustment should therefore only be used for a relatively narrow measuring range (working range), e.g. clean room applications, air conditioning applications for storage and similar.

The 1-point adjustment can be performed

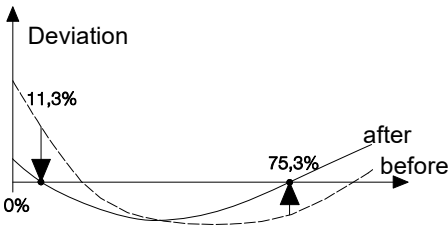
- via the user menu (see *chapter 1.4.6.8*) or
- via the P2A software (see *volume 2, Chapter 3*)



Please note that the 1-point adjustment is generally performed on the basis of the % RH and °C/°F parameters.

### 1.3.3.3 2-point adjustment

With the 2-point adjustment, the parameter is adjusted to the reference value at the two standard adjustment points 11.3 % RH and 75.3 % RH or 20 % RH and 80 % RH. The reference conditions are created either by using Testo humidity adjustment set (order no. 0554 0660, only for adjustment points 11.3 %RH and 75.3 %RH) or in the humidity generator.



In the 2-point adjustment, the deviations between the reading and the nominal value are minimized across the entire measuring range. The 2-point adjustment is therefore recommended for large working ranges, e.g. in drying processes.

The 2-point adjustment can be performed for the adjustment points 11.3 %RH and 75.3 %RH

- via P2A software (see *volume 2, chapter 3*) or
- using the adjustment keys under the service flap, see description of how to proceed below.

The 2-point adjustment for the adjustment points 20 %RH and 80 %RH is carried out via the user menu.

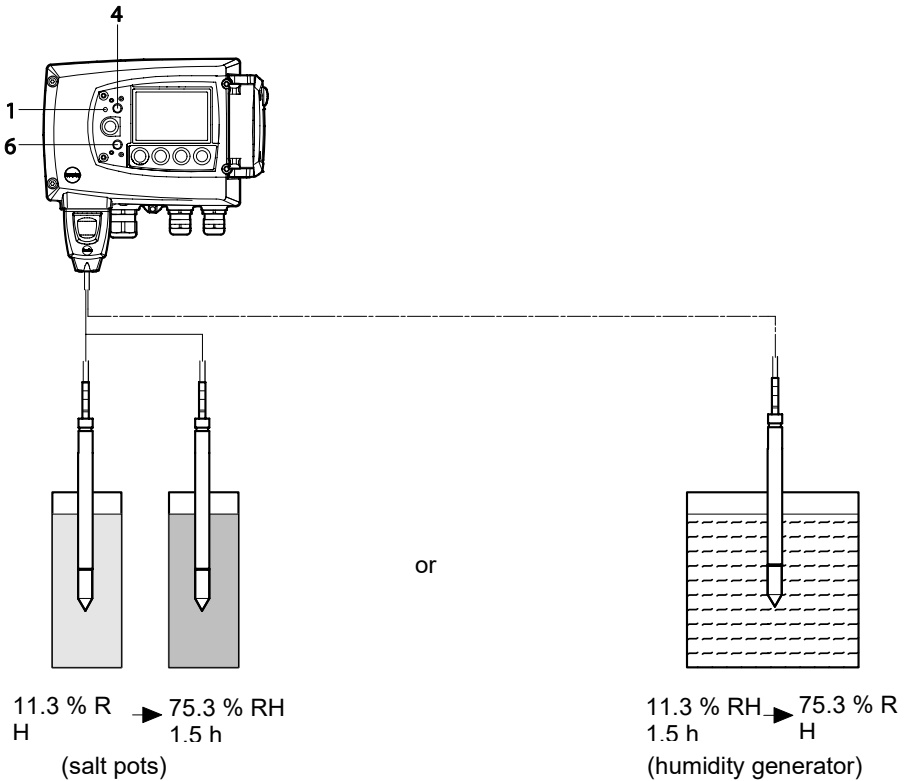


A 2-point adjustment cancels any previous 1-point adjustment.

➤ **Adjusting testo 6651 using adjustment keys**



The 2-point adjustment for the adjustment points 20 %RH and 80 %RH is carried out via the user menu.

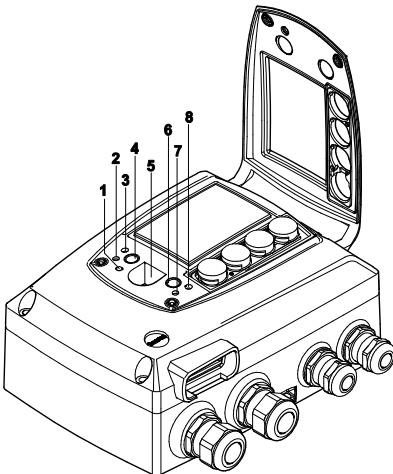


✓ The service flap of the testo 6651 is open.

- 1 Expose the humidity probe of the testo 6651 to the reference condition of 11.3 % RH for at least 1.5 hours at 25 °C.
- 2 After this equalization period, press the 11.3 % adjustment key **(4)** for at least 10 seconds with something like a ball-point pen that is not too sharp. The LED **(1)** flashes when the adjustment process begins. At the same time, the **2-point adjustment 11.3 %** status message appears on the display
  - Completion of the adjustment is signalled by the LED **(1)** coming on permanently and the **Probe reset** status message is shown.
- Carry out the adjustment analogously for the reference condition 75.3 % RH. Press on the 75.3 % RH adjustment key **(6)** to do this.
- 3 Close the service flap.

#### 1.3.3.4 Analog output adjustment

The purpose of adjusting the analog outputs is to adjust the signal chain from the digital signal (within the transmitter) to the analog outputs. The signal type that was appointed for the transmitter is adjusted respectively for each channel (e.g. 4 to 20 mA or 0 to 1 V, etc.).



- |   |                   |
|---|-------------------|
| 1 | LED               |
| 2 | Contact ch. 1 +   |
| 3 | Contact ch. 1 -   |
| 4 | Adjust key 11.3 % |
| 5 | Service interface |
| 6 | Adjust key 75,3 % |
| 7 | Contact ch. 2 +   |
| 8 | Contact ch. 2 -   |

### ➤ Adjust analog outputs

- ✓ A precise multimeter (minimum resolution of 6.5 digits, accuracy of 100  $\mu$ A, e.g. Agilent 34401A) is available.



If only a simple multimeter is available, the analog outputs may not be adjusted.

- ✓ The service flap is open.
- 1 Connect the inputs of the multimeter with the contacts **(2)** and **(3)** for channel 1 or with contacts **(7)** and **(8)** for channel 2.
  - 2 Transfer the reference analog value measured with the multimeter to the P2A software (see *volume 2, chapter 3*) or enter it via the user menu (see *chapter 1.4.6.8*).
  - 3 Disconnect connections between multimeter and contacts of the testo 6651 and close service flap.

## 1.4 Operation

### 1.4.1 Relationship between user menu and mini-DIN socket is active

The testo 6651 can be parameterized using either the user menu or the P2A software (see *volume 2, chapter 3*).



The testo 6651 humidity transmitter can only be operated via the display and keypad if the display option is available.

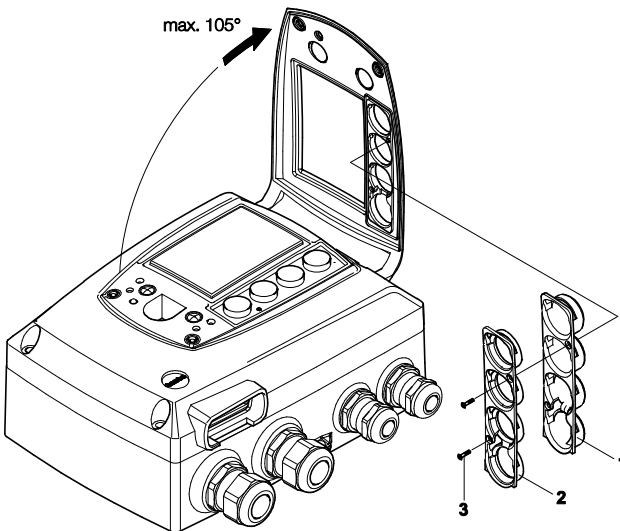
If the testo 6651 is connected to the P2A software, the user menu is blocked for the duration of the communication. The message **Service plug** is shown in the display of the testo 6651. As soon as the P2A software is disconnected, the user menu is accessible again.

## 1.4.2 Key cover

To prevent unauthorized operation of the keys, the standard key frame can be replaced with a key cover.

If the key cover has been assembled, the service flap must be opened for operation (see Section *Opening the instrument, chapter 1.3.2*).

### ➤ Attaching the key cover



✓ The service flap is open (see Section *Opening the instrument, chapter 1.3.2*).

- 1 Undo screws (3) and remove key frame (2).
- 2 Insert key cover (1) into service flap and tighten screws (3).
- 3 Close and screw down the service flap.

## 1.4.3 Password protection

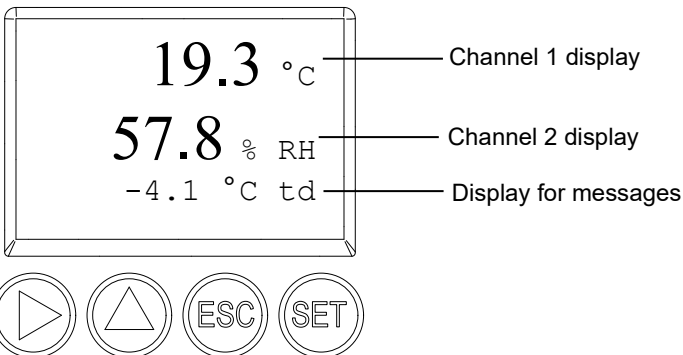
The user menu can be protected with a four-digit numerical code (see *chapter 1.4.6.4*) so that access to the user menu is denied to unauthorized persons not familiar with this numerical code.

If the password protection is not to be used, the numerical code "0000" must be entered. This is also the status upon delivery.

## 1.4.4 Structure of user menu

At the main menu level, the user menu comprises the following:

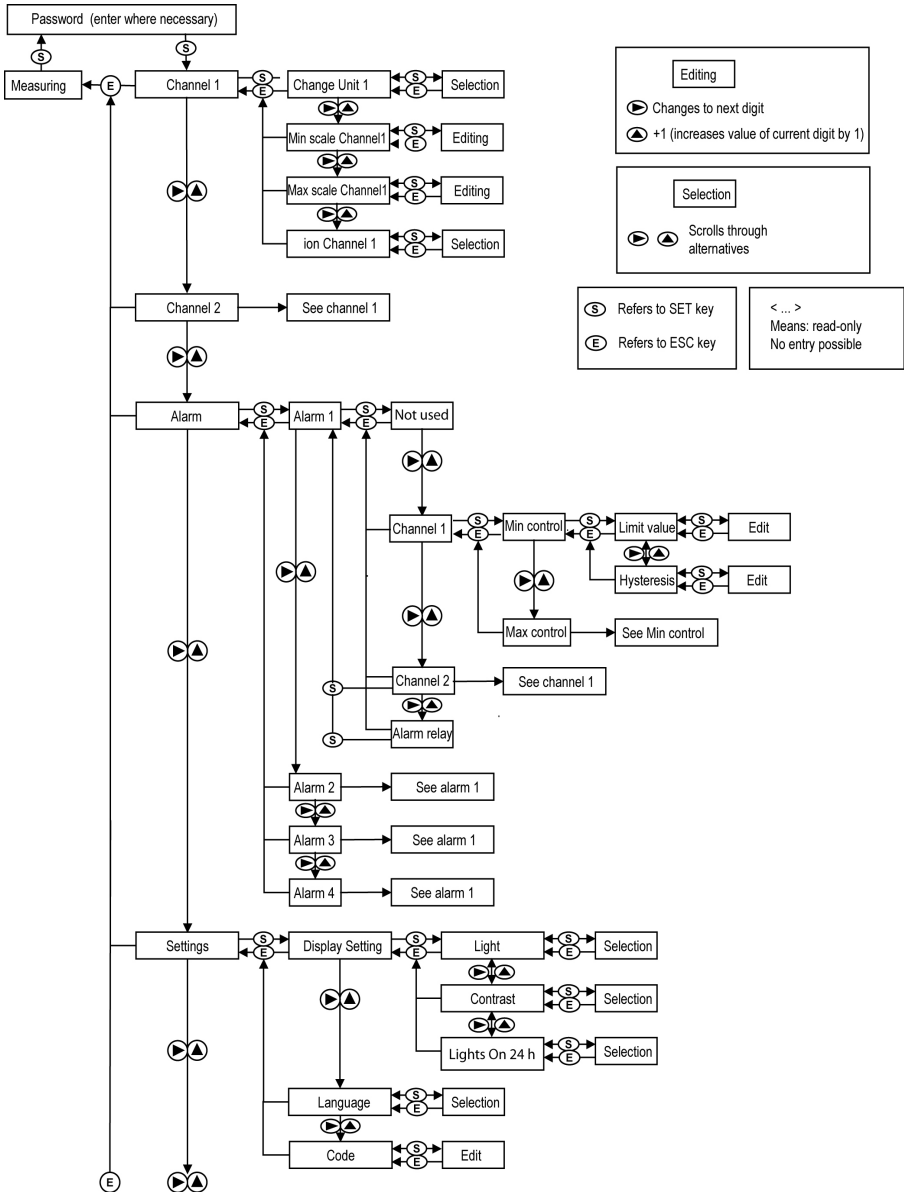
- **Main menu of channel 1**
- **Main menu of channel 2**
- **Main Menu Alarm**
- **Editing Settings main menu**
- **Analysis main menu**
- **Status main menu**
- **Ident main menu**
- **Adjustment main menu**
- **Reset main menu**



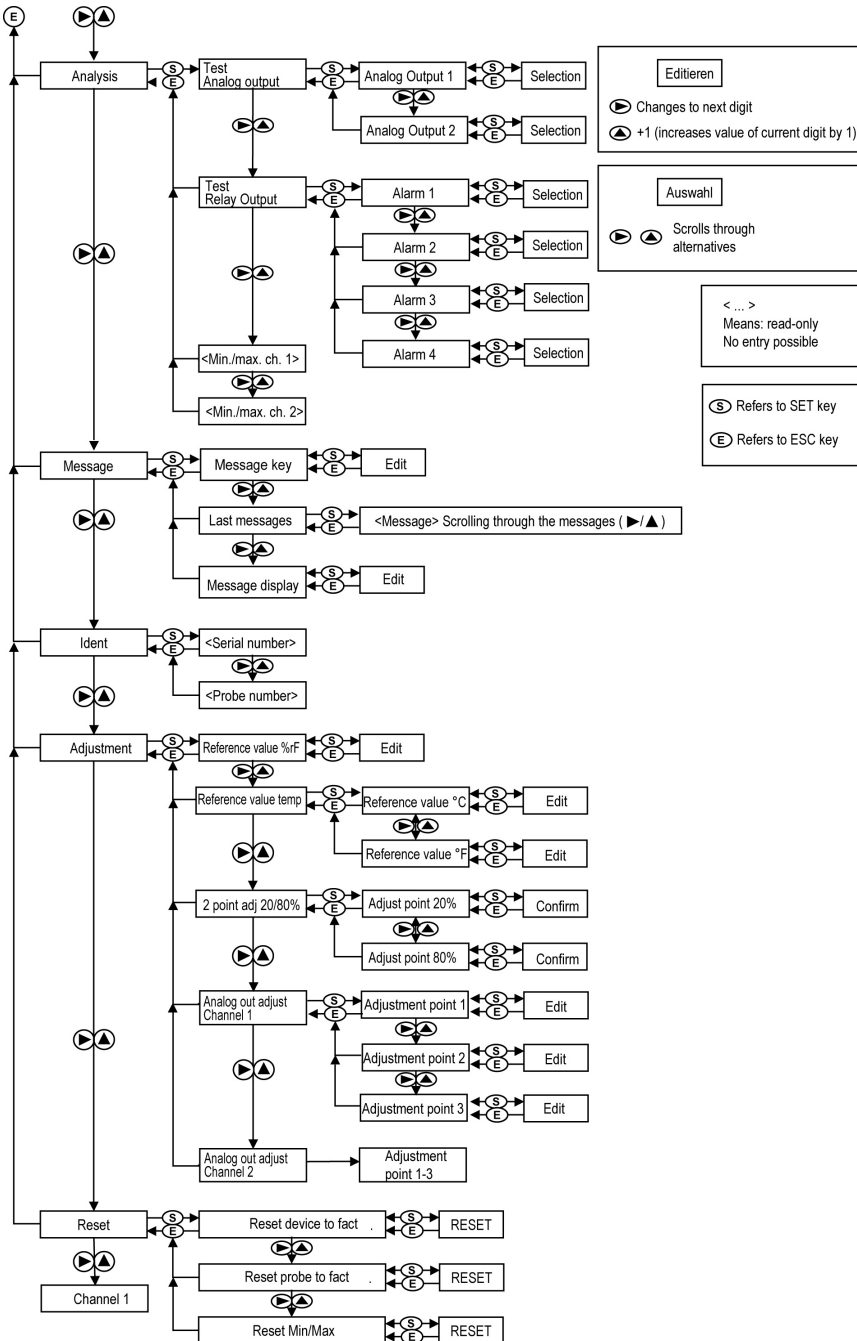
Four keys enable the user to navigate/scroll through the menus and enter/amend values and settings:

Key	Function/description
SET	- In Measuring Mode: changes to parameterization - In Parameterizing Mode: confirms a selection or setting
ESC	- Leaves a menu (without modifying any settings)
▶	- Selecting: scrolls through menus (downwards) or selectable alternatives - Editing: changes to next digit (to the right)
▲	- Selecting: scrolls through menus (upwards) or selectable alternatives - Editing: increases the value of the current digit by 1

## 1.4.5 Overview of the testo 6651 user menu







## 1.4.6 The individual main menus

### 1.4.6.1 Editing Main Menu Channel 1

An overview is given in *Overview of the testo 6651 user menu* (see chapter 1.4.5).

You can perform basic settings for channel 1.

- 1 In Measuring Mode, press SET, select **Main Menu Channel 1** using ► or ▲ and confirm selection with SET.

One of the following parameters can now be selected using ► or ▲, after which the selection must be confirmed with SET:

- **Channel 1 unit**

The parameter for this channel is selected.

Selection: % RH, °C, °F, °Ctd, °Ftd, g/m<sup>3</sup>.

Edit/select parameter with ► or ▲, confirm with SET or abort input with ESC.

- **Scale minimum for channel 1**

The lower scale limit is edited;

Unit as selected above (example: 4 mA = 0 % RH).

Editing the value: Scroll one digit to the right using ►, increase value of digit by 1 using ▲. Confirm with SET or abort entry with ESC.

- **Scale maximum for channel 1**

The upper scale limit is edited;

Unit as selected above (example: 20 mA = 100 % RH).

Editing the value: Scroll one digit to the right using ►, increase value of digit by 1 using ▲. Confirm with SET or abort entry with ESC.

- **Signal delay ("Damping")for channel 1**

The analog signal can be delayed ("Damping"); a time constant is selected for this (1 = no delay; 15 = longest delay).

Edit/select parameter using ► or ▲, confirm with SET or cancel entry via ESC.

- 2 Continue to **Main Menu Channel 2** using ► or ▲ or return to Measuring Mode by pressing ESC.

### 1.4.6.2 Editing main menu of channel 2

See channel 1.

### 1.4.6.3 Editing Main Menu Alarm

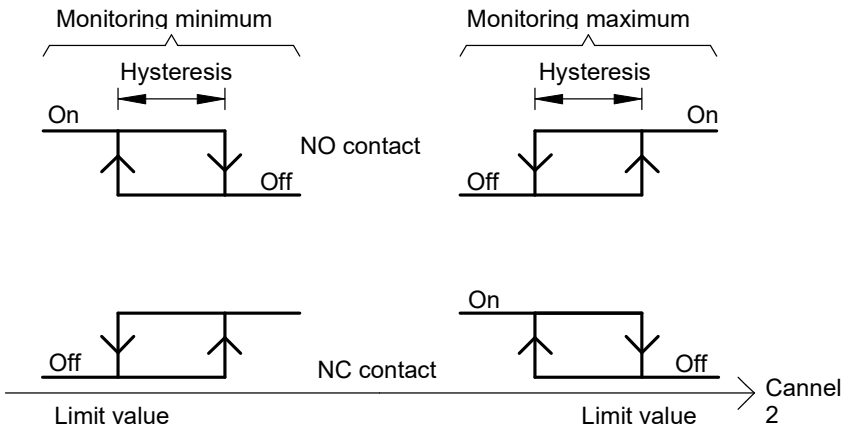
With the alarm, the relays, available as options, are programmed. In addition, the alarm statuses are shown on the display (top right) (even without relays). You can choose whether the alarm is used to monitor limit values or as a collective alarm. If an alarm is to be used to monitor limit values, you can choose between monitoring the minimum or maximum value and set a limit value and hysteresis for each alarm.

- 3 In Measuring Mode, press SET, select **Main Menu Alarm** using ► or ▲ and confirm selection with SET.

Four alarms can be parameterized.

- 4 Select **Alarm x** using ► or ▲ and confirm selection with SET.

➤ **Using alarm to monitor limit values**



- 5 Select **Channel x** (e.g. "Channel 1") using ► or ▲ and confirm selection with SET.
- 6 Select **Max control** or **Min control** with ► or ▲ (see graphic).
- 7 Press SET and edit **limit value** and **hysteresis**: Scroll one digit to the right using ►, increase value of digit by 1 using ▲. Confirm with SET or abort entry with ESC.
- 8 Return to **Channel x** by pressing ESC.
- 9 Return to **Alarm x** by pressing ESC.
- 10 Change to the other relays using ► or ▲ and perform settings in the same way.

### ➤ Using alarm as collective alarm or not using it at all

If the collective alarm is assigned to an alarm, the relay is switched as soon as (at least) one of the warning or error messages of the testo 6681 transmitter (or the connected testo 6610 probe) is activated.



Note:

The messages affecting the collective alarm can be selected in the P2A software (see *volume 2, chapter 3*).

- ✓ Alarm is selected (see previous steps 1 and 2).
- 1 Specify with ► or ▲ whether **Alarm x** is to be used as the **Alarm relay** or is **not to be used**. Confirm selection with SET and return to **Alarm x**.
- 2 Change to another alarm using ► or ▲ and perform settings in the same way.
- 3 Continue to **Main Menu Settings** using ► or ▲ or return to Measuring Mode by pressing ESC.

### 1.4.6.4 Editing Main Menu Settings

You can edit instrument settings and other settings.

- In Measuring Mode, press SET, select **Main Menu Settings** using ► or ▲ and confirm selection with SET.

You can edit settings for:

- Display
- Language
- Code.

### ➤ Editing display settings

You can set the brightness and contrast of the display.

- 1 Select **Display Settings** using ► or ▲ and confirm selection with SET.
- 2 Select **Backlight**, **Contrast** or **Backlight on 24 h** using ► or ▲ and confirm selection using SET.

One of the following parameters can now be selected using ► or ▲, after which the selection must be confirmed with SET:

- **Backlight**

The display illumination is changed.

Edit/select parameter with ► or ▲, confirm with SET or cancel entry with ESC (the effect of the change in parameter can be seen during input).

- **Contrast**

The brightness difference between the display background and the displayed values is changed.

Edit/select parameter with ► or ▲, confirm with SET or cancel entry with ESC (the effect of the change in parameter can be seen during input).

- **Backlight on 24 h**

Using ► or ▲ select **On** or **Off** and confirm with SET.

Off: The display light switches off automatically if no button was pressed for 30 seconds.

On: The display light is activated

**3** Go back to **Display Settings** by pressing ESC and continue to **Language** using ► or ▲.

➤ **Selecting language**

You can select the language for the plain text line in the display.

- Press SET, select required language with ► or ▲, confirm selection with SET and return to **Language**.



Only choose a language that you can understand well.

### ➤ Editing code settings

You can set the access code (password).



If a code other than "0000" (factory setting) is set, the transmitter can only be operated once this code has been entered via the menu.

- 1 Select **Code** using ► or ▲ and confirm selection with SET.
- 2 Scroll one digit to the right using ►, increase value of digit by 1 using ▲. Confirm with SET or abort entry with ESC.
- 3 Continue to **Main Menu Analysis** using ► or ▲ or return to Measuring Mode by pressing ESC.

### 1.4.6.5 Editing Analysis main menu

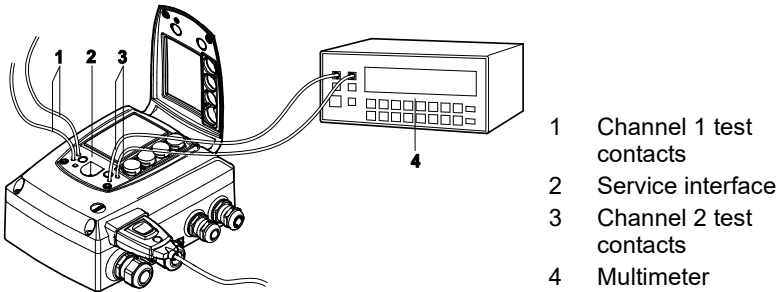
You can test the functionality of analog and relay outputs. In addition, you can read off the minimum and maximum readings (since the last voltage supply or reset of the min./max. values).

#### ➤ Testing functionality of analog outputs



This function affects the analog outputs directly, not only the test contacts.

- 1 In Measuring Mode, press SET, select **Main menu analysis** using ► or ▲ and confirm selection using SET.  
**Test Analog Output** is shown. Any analog output value can be predefined, e.g. for an analog output of 4 to 20 mA, the value "6.0 mA".
- 2 Press SET, choose between **Analog Output 1, 2** with ► or ▲.
- 3 Press SET, scroll one digit to the right using ►, increase value of digit by 1 using ▲. Confirm with SET or abort entry with ESC.
- 4 Adopt the settings using SET and test with the multimeter at the test contacts below the service flap (minimum requirement: resolution of 6.5 digits, accuracy of 100 nA):



- 5** Return to **Test Analog Output** using ESC and continue to **Test Relaisausgang** using ► or ▲.

➤ **Testing functionality of relay outputs**

- 1** Press SET, choose between **Alarm 1, 2, 3, 4** with ► or ▲.  
**2** Press SET.

The relay can now be tested. You can choose between **OFF** and **ON** using ► or ▲. If **ON** is chosen, the NO contact is closed, the NC contact opened. If **OFF** is chosen, the NC contact is closed, the NO contact opened.

- 3** To test, route a measuring cable from the relay terminals (see *chapter 1.3.2.3*) out of the transmitter to a multimeter (resistance measurement) or continuity tester.  
**4** Go back to **Test Relay Output** by pressing either SET (starts relay test) or ESC (exits the menu without relay test).

➤ **Reading off min./max. values of channels**

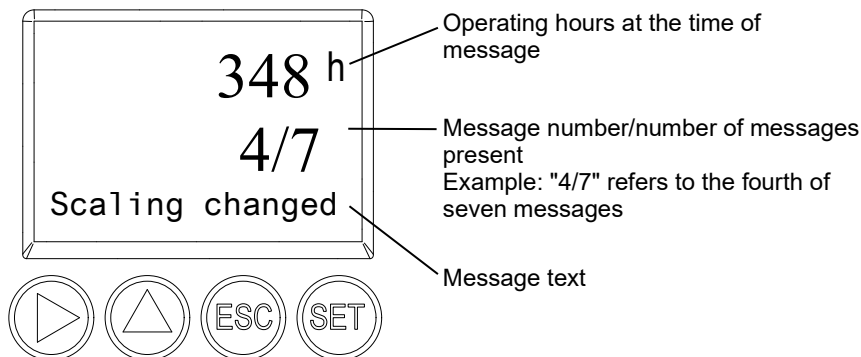


To reset the max./min. values, see *chapter 1.4.6.9, Editing Reset main menu*.

- 1** Read off the min./max. values of the two channels in succession by pressing ► or ▲ and return to **Main Menu Analysis** using ESC.  
**2** Continue to **Main Menu Message** using ► or ▲ or return to Measuring Mode by pressing ESC.

### 1.4.6.6 Editing Message main menu

The last messages can be called up and the display of the messages can be switched on or off.



Using the P2A software (see *volume 2, chapter 3.3.2*) you can predefine which of the messages are to be shown in the display.

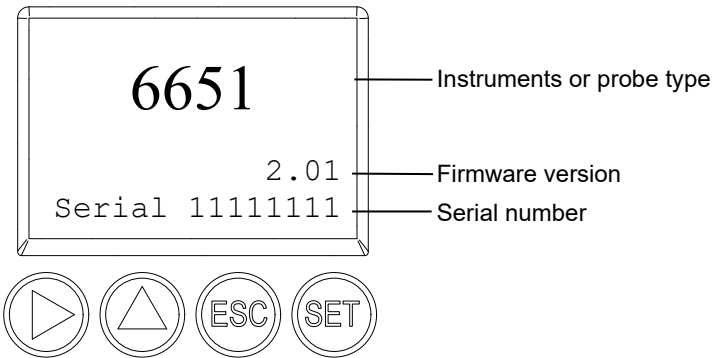
- 1 In Measuring Mode, press SET, select **Main Menu Message** using ► or ▲ and confirm selection with SET.
- 2 Confirm **Confirm message** using SET.
- 3 Select **Last messages** using ► or ▲ and confirm with SET.
- 4 Scroll between the messages recorded so far using ► or ▲ and press ESC to return to **Last messages**.
- 5 Continue to **Display of message** with ► or ▲.
  - ON:** Measurements are shown on the display in Measuring Mode.
  - OFF:** No messages shown on display.
- 6 Select **ON** or **OFF** using ► or ▲ and confirm selection with SET.
- 7 Return to **Main Menu Message** by pressing ESC.
- 8 Continue to **Main Menu Ident** using ► or ▲ or return to Measuring Mode by pressing ESC.



An overview of the messages can be found in *chapter 1.5, Status, warning and error messages*.



### 1.4.6.7 Calling up Main Menu Ident



The serial numbers of the transmitter and probe can be read off.

- 1 In Measuring Mode, press SET, select **Main Menu Ident** using ► or ▲ and confirm selection with SET.

The type, firmware version and serial number of the transmitter are displayed.

- 2 Press ESC to return to the **Main Menu Ident** or read off the type, firmware version and serial number of the probe using ► or ▲ and then press ► or ▲ to return to the **Main Menu Ident**.
- 3 Continue to **Main Menu Adjustment** using ► or ▲ or return to Measuring Mode by pressing ESC.

### 1.4.6.8 Editing Adjust main menu

A reference value can be entered for both relative humidity (% RH) and temperature (°C/°F) for the 1-point adjustment. Please refer to the description in *Chapter 1.3.3.2, 1-point adjustment (offset)*.

In addition, the analog outputs can be adjusted. See *Chapter 1.3.3.4, Analog output adjustment* how to do this.



The 2-point adjustment for the adjustment points 20 %RH and 80 %RH is carried out via the user menu.

For the adjustment points 11.3 %RH and 75.3 %RH, the 2-point adjustment is carried out via the adjustment buttons or the P2A software (see *chapter 1.3.3.3 or volume 2, chapter 3.3.2*).

➤ **Enter reference value for 1-point adjustment**



Please also refer to *chapter 1.3.3.2, 1-point adjustment (offset)*.

- 1 In Measuring Mode, press SET, select **Main Menu Adjust** using ► or ▲ and confirm selection with SET.  
**Reference value % RH** is displayed.
- 2 Press SET, edit value: Scroll one digit to the right using ►, increase value of digit by 1 using ▲. Confirm with SET or cancel entry with ESC.
- 3 Continue to **Reference value temp** with ► or ▲.
- 4 Press SET and **Reference value °C** is displayed.
- 5 Press SET, edit value: Scroll one digit to the right using ►, increase value of digit by 1 using ▲. Confirm with SET or abort entry with ESC.
- 6 Continue to **Reference value °F** with ► or ▲.
- 7 Press SET, edit value: Scroll one digit to the right using ►, increase value of digit by 1 using ▲. Confirm with SET or abort entry with ESC.
- 8 Continue to **Analog Adj. Ch. 1** with ► or ▲.
- 9 Continue with the adjustment of the analog outputs (see below, step 2) or press ESC to return to **Main Menu Adjustment**.
- 10 Continue to **Main Menu Reset** using ► or ▲ or return to Measuring Mode by pressing ESC.

➤ **Performing the 2-Points-Adjustment for 20% RH and 80 % RH**

- 1 In the Measuring Mode press SET, select **main menu Adjust** with ► or ▲ and confirm selection with SET.
- 2 Continue to 2Pt Adjust 20/80% with ► or ▲.
- 3 Press SET.
- 4 Continue to Adj. Point 20% or Adj. Point 80% with ► or ▲
- 5 Confirm selection with SET.
- 6 The red LED ADJ flashes

In the display 2Pt Adjust 20/80%, 1-point adjustment, Probe reset appears consecutively.

The adjusted measurement values appear after probe reset.

## ➤ Performing analog adjustment



Please refer to *chapter 1.3.3.4*.

- 1 In Measuring Mode, press SET, select **Main Menu Adjust** using ► or ▲ and confirm selection with SET.



Each channel is adjusted at three points in the analog range (at 10 %; 50 %; 90% of the analog scale).

- 2 Select **Analog Adj. Ch. 1** using ► or ▲ and confirm with SET.
- 3 Select **Adj. Point 1** using ► or ▲.
- 4 Press SET. Read off multimeter display (e.g. 5.601 mA) and enter this value in the user menu. Do this by scrolling one digit to the right using ► and increasing the value of digit by 1 using ▲. Confirm with SET or abort entry with ESC.
- 5 Select **Adj. Point 2** using ► or ▲.
- 6 Press SET. Read off multimeter display (e.g. 12,001 mA) and enter this value in the user menu. Do this by scrolling one digit to the right using ► and increasing the value of digit by 1 using ▲. Confirm with SET or abort entry with ESC.
- 7 Select **Adj. Point 3** using ► or ▲.
- 8 Press SET. Read off multimeter display (e.g. 18,401 mA) and enter this value in the user menu. Do this by scrolling one digit to the right using ► and increasing the value of digit by 1 using ▲. Confirm with SET or abort entry with ESC.
- 9 Continue to **Analog Adj. Ch. 2** with ► or ▲ (repeat steps 3 to 8).
- 10 Return to **Main Menu Adjust** by pressing ESC.
- 11 Continue to **Main Menu Reset** using ► or ▲ or return to Measuring Mode by pressing ESC.

### 1.4.6.9 Editing Reset main menu

You can reset the factory settings for the following:

- Instrument
- Sensor/probe
- Min./max. values



Resetting to the factory settings means resetting to the order specification, i.e. the specific condition at the time of supply to the customer.

- 1 In Measuring Mode, press SET, select **Main Menu Reset** using ► or ▲ and confirm selection with SET.  
**Reset device** to factory settings is displayed.
- 2 Select the setting to be reset using ► or ▲ and confirm selection with SET.  
**Reset Completed** is displayed.
- 3 Press ESC or SET to return to reset setting and press ESC to return to **Main Menu Reset**.
- 4 Continue to **Main Menu Channel 1** using ► or ▲ or return to Measuring Mode by pressing ESC.

# 1.5 Status, warning and error messages



To achieve optimum operational reliability (machine availability), the transmitter provides the following via the user menu (see *chapter 1.4*) or the P2A software (see *volume 2, Chapter 3*):

- Status messages,
- Warning messages and
- Error messages

for either the testo 6651 or the connected testo 660x probe as applicable.

All messages are stored in the transmitter with an operating hours stamp. Use the user menu (see *Chapter 1.4.6.6, page 48*) or P2A software (see *volume 2, chapter 3, page 88*) to view the message history.

In the transmitter, the last 180 messages are stored in a ring memory, but there is no restriction in the P2A software.

## 1.5.1 Transmitter status messages

Status messages show the current operating mode of the testo 6651.

Message	Display	Description
00300	New limit value	The limit value has been changed or shifted
00301	Scaling changed	The scaling has been changed
00500	Transmitter reset:	The transmitter is reset to the factory settings and is restarted.
0052F	Reset Min/Max	Resets all saved Min/Max values for all channels
02506	Probe connection	A probe has been connected
01D19	Service plug	The Mini-DIN socket is connected to: the USB adapter for P2A software, the adjustment adapter or the service plug (is not recorded/no number)
00307	User Setting Change	User Setting Change: General settings were changed for the transmitter.

Message	Display	Description
02d07	Probe disconnected	No probe is connected
02104	Analog out adjust	An analog adjustment has been made
02101	1-point adjustment	A 1-point adjustment is performed.
02102	2-point adjustment 11,3%	As part of the 2-point adjustment, an adjustment is performed at 11.3 % RH
02103	2-point adjustment 75.3%	As part of the 2-point adjustment, an adjustment is performed at 75.3 % RH
02120	2-point adjustment 20 %	As part of the 2-point adjustment, an adjustment is performed at 20 % RH
02130	2-point adjustment 80 %	As part of the 2-point adjustment, an adjustment is performed at 80 % RH
02518	Probe reset	Probe reset: The probe performs a reset

## 1.5.2 Transmitter warning messages

Warning messages show an early warning or a current malfunction which may negatively impact measuring.

Message	Display	Cause	Remedying of fault
02101	2-point adjustment drift*	In the 2-point adjustment, corrections repeatedly occur in the same direction; this may indicate a sensor drift	Send the probe into Testo Service
00E00	T ambient high**	The ambient temperature exceeds the permissible temperature for the transmitter	Take necessary measures to lower ambient temperature, e.g. through venting or cooling
00E01	T ambient low**	The ambient temperature is below the permissible temperature for the transmitter	Take necessary measures to raise ambient temperature, e.g. through heating
00E02	Supply voltage low**	The supply voltage is below the minimum voltage required for the transmitter	Ensure sufficient voltage supply

Message	Display	Cause	Remedying of fault
00E00	T process high**	The process temperature exceeds the temperature designated for the probe	Remove the probe from the process and take any necessary measures to lower the process temperature
02806	Condensation*	100 % RH has been reached, condensation developing	Take measures to reduce process humidity
02807	Values less than 0 % RH**	The adjustment or sensor is faulty	Check adjustment (via P2A adjustment history, perform 2-point adjustment where necessary) If the problem persists, contact Testo Service

\* Early warning

\*\* Current malfunction

### 1.5.3 Transmitter error messages

Error messages show a current malfunction.

Message	Display	Cause	Remedying of fault
03401	No probe signal	The probe communication is interrupted	Ensure that the probe connector is fully engaged in the transmitter. - If communication still cannot be established, contact Testo Service
03508	Wrong probe	The connected probe is not compatible with the present transmitter	Use a compatible probe Note: The 660x probes match the 665x transmitter, and the 661x probes the 668x transmitter
01528	Watchdog error	Due to a processor error, the transmitter performs an automatic restart	If the problem occurs frequently, contact Testo Service

Message	Display	Cause	Remedying of fault
0300A	% RH sensor short-circuit	Short-circuit in humidity sensor	Contact Testo Service
0300B	%RH sensor broken	The humidity sensor is damaged (sensor broken)	Contact Testo Service
0300C	T sensor short-circuit	Short-circuit in temperature sensor	Contact Testo Service
0300D	T sensor broken	The temperature sensor is damaged (sensor broken)	Contact Testo Service

## 1.5.4 Handling alarm messages

Shown on the display <sup>1</sup>	Can be used for collective alarm <sup>2</sup>	Message start/end
Limit value	x	x
Scaling changed	x	x
Transmitter reset	x	x
Reset Min/Max		x
Transmitter refresh		x
Probe connection		
Service plug		
User Setting Change		x
Probe disconnected		
Analog out adjust	x	x
1-point adjustment:	x	x
2-point adjustment 11,3%	x	x
2-point adjustment 75.3%	x	x
Probe reset	x	x
2-point adjustment drift*	x	
T ambient high**	x	
T ambient low**	x	
Supply voltage low**	x	



Shown on the display <sup>1</sup>	Can be used for collective alarm <sup>2</sup>	Message start/end
T process high**	x	
Condensation*:	x	
Values less than 0 % RH**	x	
No probe signal	x	
Wrong probe		
Watchdog error	x	
% RH sensor short-circuit	x	
%RH sensor broken	x	
T sensor short-circuit	x	
T sensor broken	x	

1 If multiple messages/alarms are activated at the same time, only the last message/alarm is shown. If this is cancelled, the other messages that are still active are no longer displayed.

2 The message can be assigned the collective alarm function, which means that the collective alarm is activated as soon as at least one of the messages assigned to it is activated. The collective alarm can be assigned to each of the 4 optional relays. The collective alarm is then always the same, as it can only be defined once.

Execute **Confirm message** function (via control keys at transmitter):

- The message/alarm is no longer shown on the display. If multiple messages/alarms are active at the same time, all are reset simultaneously.
- If at least one message is assigned to the collective alarm, the collective alarm is reset. If the collective alarm is set on a relay, the relay is also reset, meaning switched to its neutral position.

## 1.5.5 Namur fault conditions

If the faults named in the following table occur, the analog outputs output special values that enable a general fault warning in the higher-level control system. The values correspond to the "Namur" industry standard.

Display message	Class	Analog output				
		0-20mA	4-20mA	1V	5V	10V
No probe signal	Error	21mA	21mA	1.2V	5.5V	11V
Wrong probe	Error	21mA	21mA	1.2V	5.5V	11V
Watchdog error	Error	21mA	21mA	1.2V	5.5V	11V
Values < 0 %RH	Underrange	0mA	3.8mA	0V	0V	0V
Condensation	Overrange	20.5mA	20.5mA	1.2V	5.5V	11V
%RH short-circuit	Error	21mA	21mA	1.2V	5.5V	11V
%RH sensor broken	Error	21mA	21mA	1.2V	5.5V	11V
T short-circuit	Error	21mA	21mA	1.2V	5.5V	11V
T sensor broken	Error	21mA	21mA	1.2V	5.5V	11V
Probe disconnected	Error	21mA	21mA	1.2V	5.5V	11V

# 1.6 Maintenance and cleaning

## 1.6.1 Maintaining the instrument

We recommend that the adjustment and settings of the transmitter be checked at regular intervals using the

- User menu (see *chapter 1.4*) or
- P2A software (see *volume 2, chapter 3*)

Convenient "remote monitoring" of the transmitter can be implemented, for example by using a relay as a collective alarm (see *chapter 1.4.6.3*) whose messages are forwarded to a local alarm transmitter (horn, light) or PLC.

## 1.6.2 Cleaning the instrument

- Only clean the instrument carefully with a moist cloth.
- Do not use aggressive cleaning agents.
- Do not use any solvents.
- Do not touch or damage the sensor



**Testo SE & Co. KGaA**

Celsiusstr. 2

79822 Titisee-Neustadt

Germany

Tel.: +49 7653 681-0

E-Mail: [info@testo.de](mailto:info@testo.de)

[www.testo.com](http://www.testo.com)